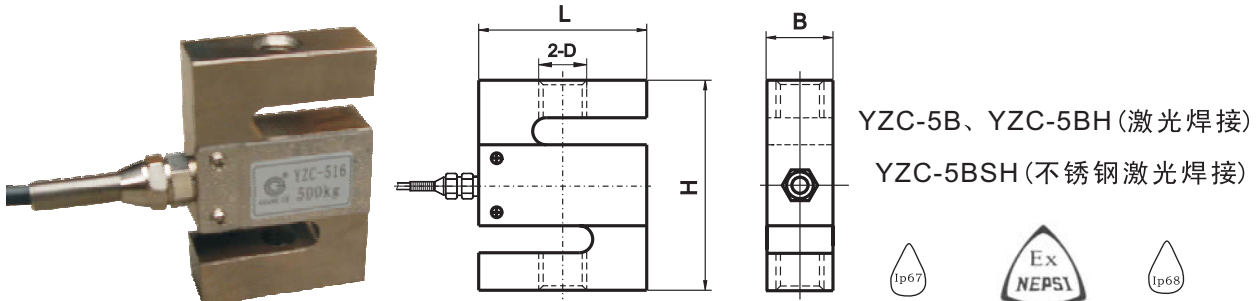
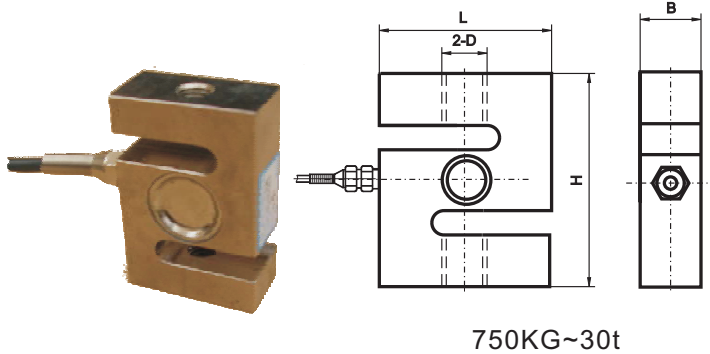


YZC-5B (516)



20~500KG



量程	L	H	B	D
20kg~30kg	51	64	12.7	M8X1.25
50kg~750kg	50.8	76.2	19.05	M12X1.75
1t	50.8	76.2	25.4	M12X1.75
1.5t	50.8	76.2	25.4	M16X1.5
2t~3t	76.2	108	31.8	M20X1.5
5t	76.2	108	36.98	M24X2
7.5t	100	139.7	36.98	M24X2
10t	177.8	125.5	50.8	M30X2
20t	140	170	81	M42X3
30t	230	190	80	M42X3

技术指标

应用	Application	吊钩秤 Crane scale	
型号	Model	YZC-5B(516)	
量程	Capacity	见上表 (As above)	
输出灵敏度	Rated output	MV/V	2.0±0.004 3.0±0.004 (可选)
精度等级	Accuracy class		C2 C3
最大检定分度数	Maximum number of verification intervals	n_{max}	2000 3000
最小检定分度值	Minimum load cell verification intervals	V_{min}	$E_{Max}/5000$ $E_{Max}/7500$
综合误差	Combined error	%RO	≤ ±0.030 ≤ ±0.020
蠕变	Creep	%RO/30min	0.02
温度灵敏度漂移	Temperature effect on sensitivity	%RO/°C	0.003 0.0016
温度零点漂移	Temperature effect on zero	%RO/°C	0.005 0.002
零点平衡	Zero balance	%RO	±1.0
输入阻抗	Input resistance	Ω	365±5
输出阻抗	Output resistance	Ω	350±3
绝缘电阻	Insulation resistance	MΩ (50V)	5000
推荐激励电压	Recommended excitation voltage	V	10~15
温度补偿范围	Compensated temperature range	°C	-10~+40
工作温度范围	Operating temperature range	°C	-35~+80
安全超载能力	Safe overload	%RO	150
极限超载范围	Ultimate overload	%RO	200
传感器材料	Load cell material		合金钢 Alloy steel 不锈钢 Stainless steel(IP68)
接线电缆	Connecting cable		20kg~2t Ø 5.7X3.5m 2.5t~30t Ø 5.7X6m
接线方式	Method of connecting wire		红输入 (+) 黑输入 (-) 绿输出 (+) 白输出 (-)